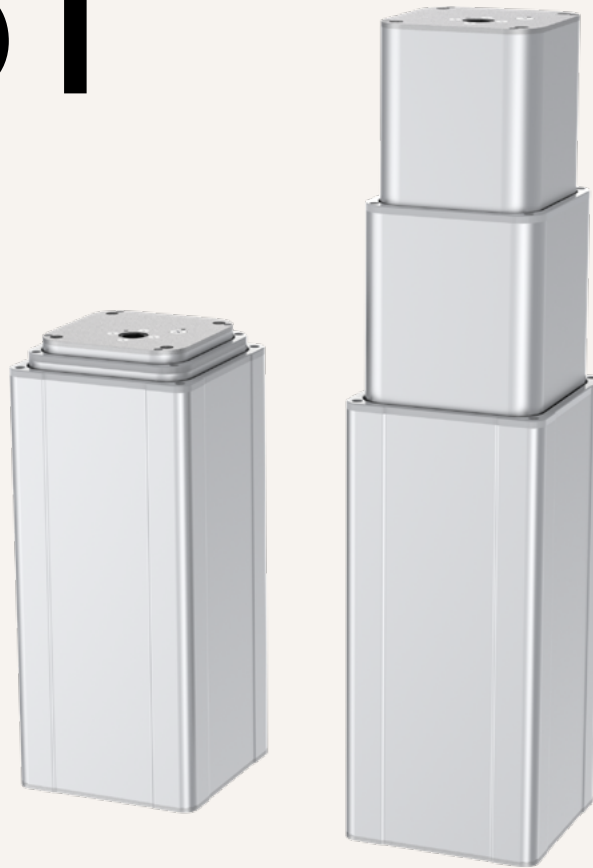


TL51

series



Product Segments

- **Care Motion**
- **Industrial Motion**

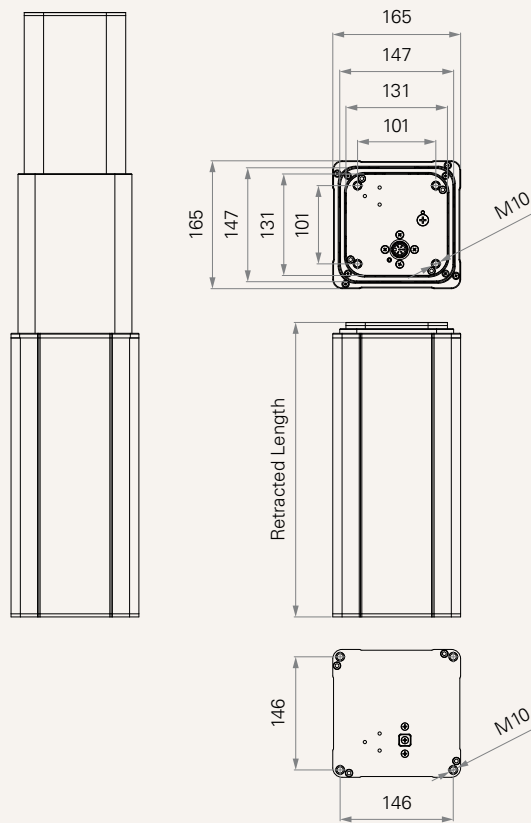
The TL51 column from TiMOTION is designed for any height-adjustable medical application, such as exam chairs, treatment/procedure tables, and applications in healthcare or industrial environments requiring the use of a high load lifting column. The TL51 provides multiple cable exit options, such as from top end socket or top/bottom sides. With its 3-stage telescopic design, the TL51 lifting column offers a high degree of stability.

General Features

Max. load	6,000N (push)
Self-locking force	6,000N
Max. dynamic bending moment	1000Nm(\geq Stroke/2 + 180mm) 1400Nm(\geq Stroke/2 + 240mm)
Max. static bending moment	2000Nm (\geq Stroke/2 + 180mm) 2800Nm (\geq Stroke/2 + 240mm)
Max. speed at max. load	8.6mm/s
Max. speed at no load	26.2mm/s
Retracted length	\geq Stroke/2 + 180mm \geq Stroke/2 + 240mm
IP rating	IPX4
Dimension of outer tube	165*165mm square
Stages	3-stage
Stroke	220~1000mm
Output signals	POT, Hall sensors
Voltage	24V DC, thermal switch
Color	Matte silver, black
Operational temperature range	+5°C~+45°C

Drawing

Standard Dimensions
(mm)



Load and Speed

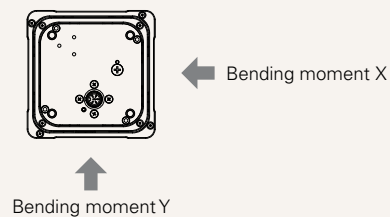
CODE	Push (N)	Self Locking Force (N)	Typical Current (A)		Typical Speed (mm/s)	
			No Load 32V DC	With Load 24V DC	No Load 32V DC	With Load 24V DC
Motor Speed (5100RPM, Duty cycle 10%)						
C	4000	4000	4.5	11.7	26.2	17.3
D	5000	5000	4.5	12.7	22.1	14.1
E	6000	6000	4.5	10.3	12.9	8.6

Note

- Parameters above are from tested average, please refer to approval drawing for final value.
- The current & speed in table are tested with 24V DC motor.
- This self-locking force level is reached only when a short circuit is applied on the terminals of the motor.
- Bending moment Y direction = X*1
- Static bending moment = dynamic*2

Dynamic bending moment (Nm)- X direction

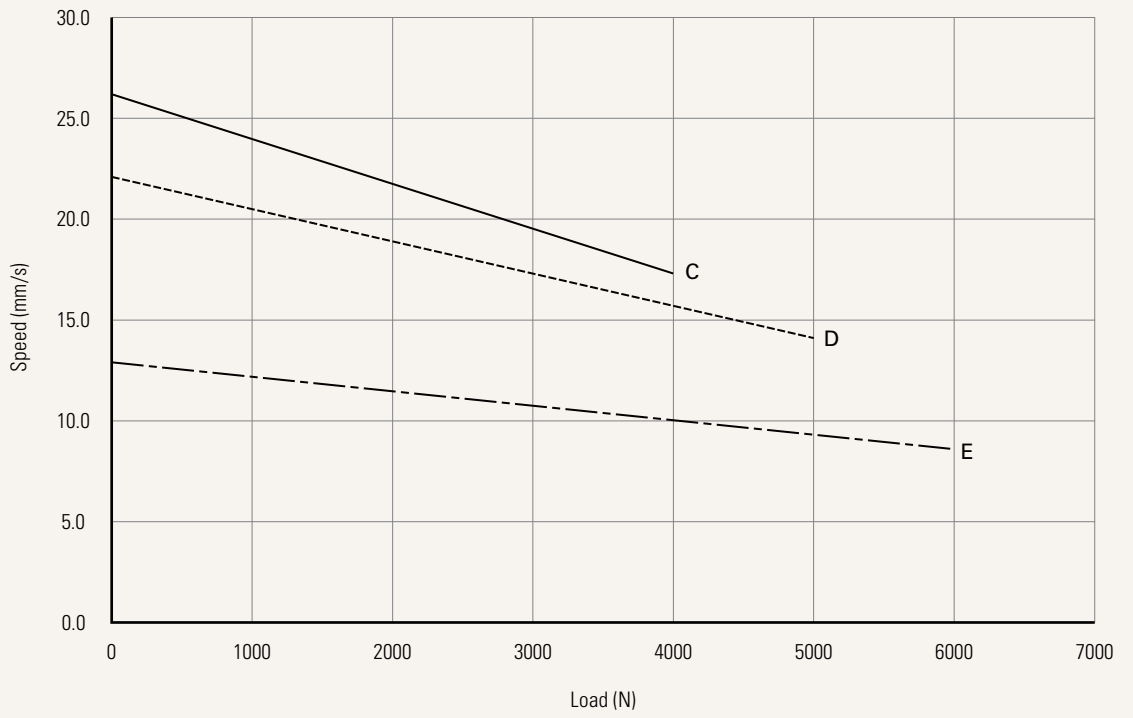
Stroke (mm)	S/2+180	S/2+240
400-1000	1000	1400



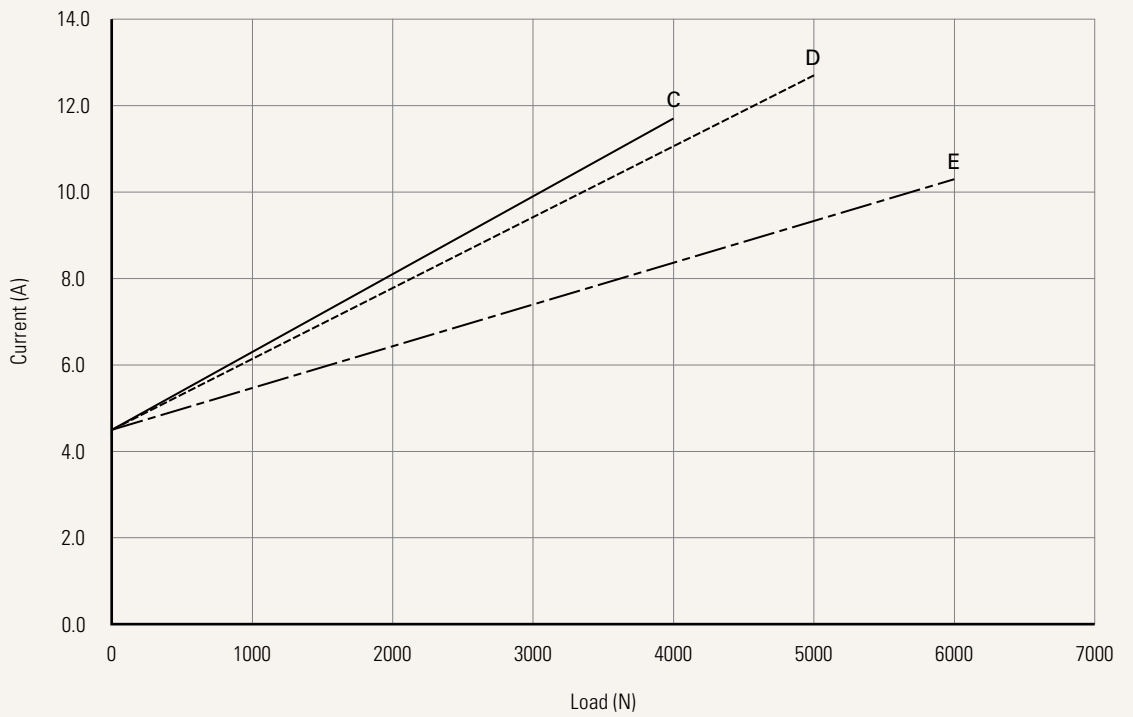
Performance Data (24V DC Motor)

Motor Speed (5100RPM, Duty cycle 10%)

Speed vs. Load



Current vs. Load



TL51 Ordering Key - Top End Socket

TL51

Version: 20231205-J

Voltage	5 = 24V DC, Thermal switch		
Load and Speed	See page 2		
Stroke (mm)	220-1000		
Retracted Length (mm)	See page 6		
Cable Exit	See page 7		
Special Functions for Spindle Sub-Assembly	0 = Without (Standard)		2 = Safety nut (bi-directional)
Functions for Limit Switches See page 8	1 = Two switches at full retracted / extended positions to cut current 3 = Two switches at full retracted / extended positions to send signal		
IP Rating	1 = Without	2 = IPX4	
Output Signals	0 = Without	2 = Hall sensor * 2	3 = POT
Connector See page 8	1 = DIN 6P, socket		2 = DIN 6P, socket, with Anti-pull buckle
Color	1 = Black	2 = Matte silver	
Tubes Direction See page 8	0 = Thinner on top		
Grounding Function	0 = Without	1 = With	

TL51 Ordering Key - Side Cable

TL51

Version: 20231205-J

Voltage	5 = 24V DC, Thermal switch		
Load and Speed	See page 2		
Stroke (mm)	220-1000		
Retracted Length (mm)	See page 6		
Cable Exit	See page 7		
Special Functions for Spindle Sub-Assembly	0 = Without (Standard)	2 = Safety nut (bi-directional)	
Functions for Limit Switches See page 8	1 = Two switches at full retracted / extended positions to cut current 3 = Two switches at full retracted / extended positions to send signal		
IP Rating	1 = Without	2 = IPX4	3 = IPX6
Output Signals	0 = Without	2 = Hall sensor * 2	3 = POT
Connector See page 8	1 = DIN 6P, 90° plug 2 = Tinned leads	F = DIN 6P, 180° plug G = Molex 8P 90°	H = Molex 8P 180°
Cable Length (mm)	1 = Straight, 500 2 = Straight, 750	3 = Straight, 1000 4 = Straight, 1250	5 = Straight, 1500 6 = Straight, 1750 7 = Straight, 2000
Color	1 = Black	2 = Matte silver	
 Tubes Direction See page 8	0 = Thinner on top	1 = Wider on top	
Grounding Function	0 = Without	1 = With	

Retracted Length (mm)

1. Retracted length needs to $\geq A+B+C$

A.

Load (N)	4000	5000	6000
	S/2+180 or S/2+240	S/2+180 or S/2+240	S/2+180 or S/2+240

Note

¹ Different retracted length is relative to different bending moment, [See page 2](#).

B.

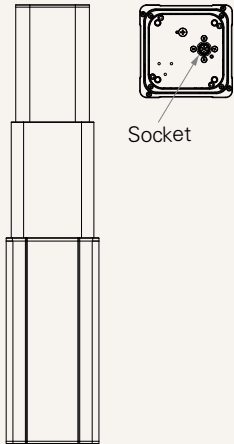
Cable Exit	1	2	3	4	5
	Top End Socket	Thinner on Top, Bottom Side Cable	Wider on Top, Top Side Cable	Wider on Top, Bottom Side Cable	Thinner on Top, Top Side Cable
B	-	-	-	+15	+15

C. When with POT (When without POT, C = 0)

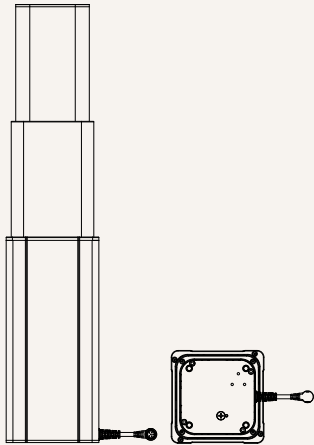
Cable Exit	1	2	3	4	5
	Top End Socket	Thinner on Top, Bottom Side Cable	Wider on Top, Top Side Cable	Wider on Top, Bottom Side Cable	Thinner on Top, Top Side Cable
C	+40	+40	+40	+40	+40

Cable Exit

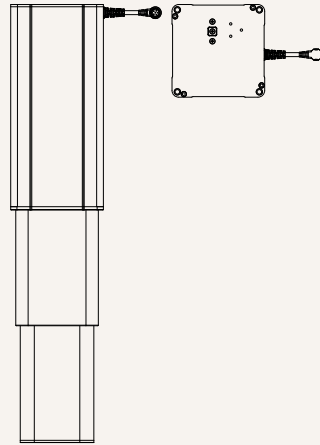
1 = Top end socket



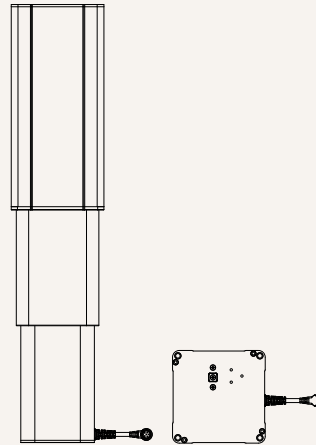
2 = Thinner on top, bottom side cable



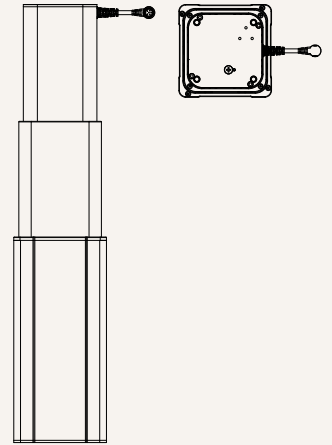
3 = Wider on top, top side cable



4 = Wider on top, bottom side cable



5 = Thinner on top, top side cable



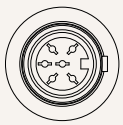
Functions for Limit Switches

Wire Definitions

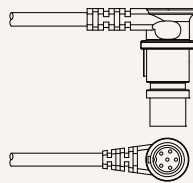
CODE	Pin					
	● 1 (Green)	● 2 (Red)	○ 3 (White)	● 4 (Black)	● 5 (Yellow)	● 6 (Blue)
1	extend (VDC+)	N/A	N/A	N/A	retract (VDC+)	N/A
3	extend (VDC+)	common	upper limit switch	N/A	retract (VDC+)	lower limit switch

Connector

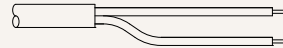
1 = DIN 6P, socket



1 = DIN 6P, 90° plug



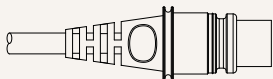
2 = Tinned leads



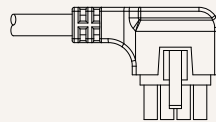
2 = DIN 6P, socket, with Anti-pull buckle



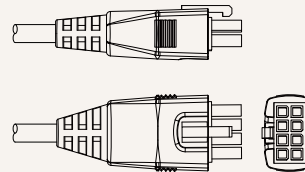
F = DIN 6P, 180° plug



G = Molex 8P 90°

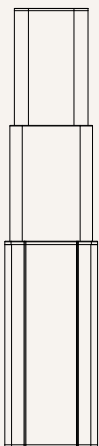


H = Molex 8P 180°



Tubes Direction

0 = Thinner on top



1 = Wider on top



Terms of Use

The user is responsible for determining the suitability of TiMOTION products for a specific application. TiMOTION products are subject to change without prior notice.