

TP4

series



Product Segments

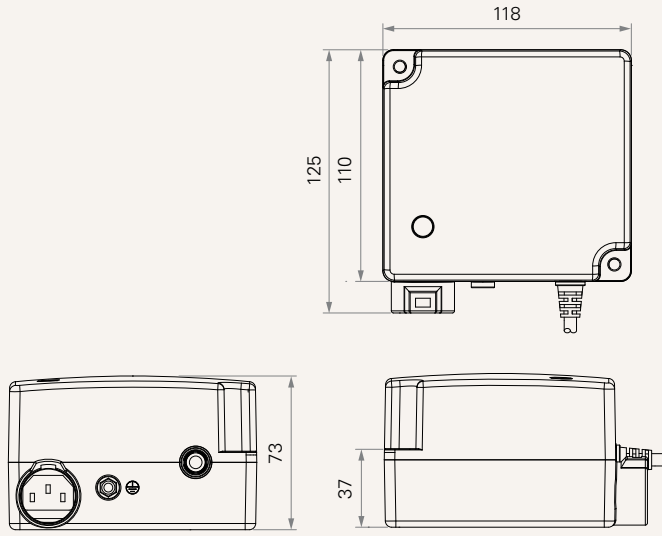
- **Care Motion**

General Features

Transformer type	Toroidal or SMPS
Input voltage	110/120/230V AC or 100~240V AC (SMPS)
Max. output	36V DC, 9A
Plug support	EU, USA, AUS, UK, JPN
Color	Black or grey
IP rating	Up to IP66
Certificate	IEC60601-1, ES60601-1
Operational temperature range	+5°C~+45°C

Drawing

Standard Dimensions
(mm)



TP4 Ordering Key

TP4

Version: 20220207-1

Voltage	1 = 110V	2 = 120V	3 = 230V	4 = 100~240VAC (SMPS)
Plug	1 = EU 2 = USA	3 = AUS 4 = UK	5 = JPN	
Color	1 = Black	2 = Pantone428C		
Cable Length & Plug (mm)	0 = AC cable: straight, 4000; DC cable: straight, 150 (mount on TC8), DIN 5P Male 1 = AC cable: straight, 2000; DC cable: straight, 1000, DIN 5P Male 2 = AC cable: straight, 4000; DC cable: straight, 1000, DIN 5P Male 3 = AC cable: straight, 4000; DC cable: straight, 150, DIN 5P Female 4 = AC cable: straight, 2000; DC cable: straight, 1000, DIN 5P Female 5 = AC cable: straight, 4000; DC cable: straight, 1000, DIN 5P Female 6 = AC cable: straight, 4000; DC cable: straight, 150, 01P Female 7 = AC cable: straight, 2000; DC cable: straight, 1000, 01P Female 8 = AC cable: straight, 4000; DC cable: straight, 1000, 01P Female			
Grounding Function	0 = Without	1 = With		
Transformer	4 = Toroidal (4A) 5 = Toroidal (5A)	6 = SMPS (2.5A) 7 = SMPS (4A)	K = SMPS (3.5A)	
IP Rating	1 = Without	2 = IP54	3 = IP66	

Transformer Specification

Transformer	EI (3A)	EI (2A)	Toroidal (4A)	Toroidal (5A)	SMPS (2.5A)	SMPS (4A)	SMPS (3.5A)
	2	3	4	5	6	7	K
Transformer Model	EI-3A	EI-2A	Toroidal-4A	Toroidal-5A	SPM-72M	SPM-120M	SPM-120M
Rated Input Voltage	110, 120, 230VAC	110, 120, 230VAC	110, 120, 230VAC	110, 120, 230VAC	100-240VAC	100-240VAC	100-240VAC
Rated Output Voltage	24V	24V	24V	30V	32V	32V	36V
Rated Current	3A	2A	4A	5A	2.5A	4A	3.5A
Maximum Working Current	6A	4A	9A	15A	8A	10A	9A

Terms of Use

The user is responsible for determining the suitability of TiMOTION products for a specific application. TiMOTION products are subject to change without prior notice.