

# TP9

series



## Product Segments

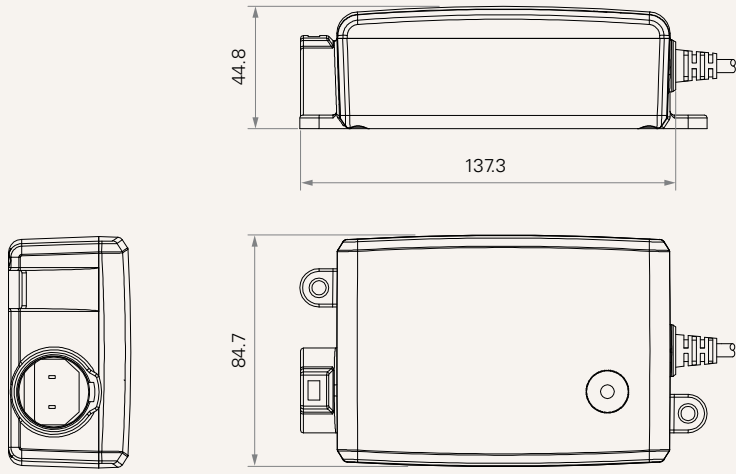
- **Care Motion**

## General Features

Transformer type	SMPS
Input voltage	100~240V AC
Max. output	36V DC, 2A
Plug support	EU, USA, AUS, UK, JPN
Color	Black or grey
IP rating	IP66
Certificate	IEC60601-1-2, IEC60601-1, ES60601-1, PSE

**Drawing**

Standard Dimensions  
(mm)



<b>AC Plug</b>	1 = EU 2 = US	3 = AU 4 = UK	5 = JP
<b>Color</b>	1 = Black	2 = Pantone428C	
<b>Cable Length (mm) &amp; Plug</b>	5 = AC cable: straight 2000; DC cable: straight 500, DIN 5P Female 6 = AC cable: straight 2000; DC cable: straight 500, 01P Female 7 = AC cable: straight 2000; DC cable: straight 500 + extension 500, DIN 5P Female 8 = AC cable: straight 2000; DC cable: straight 500 + extension 500, 01P Female 9 = AC cable: straight 2000; DC cable: straight 500 + extension 1500, DIN 5P Female 0 = AC cable: straight 2000; DC cable: straight 500 + extension 1500, 01P Female		
<b>IP Rating</b>	1 = Without	2 = IP54	3 = IP66
<b>Output Voltage Current</b>	1 = 29V, 2.5A	2 = 36V, 2A	

### Terms of Use

The user is responsible for determining the suitability of TiMOTION products for a specific application. TiMOTION products are subject to change without prior notice.