

TJB3

series



Product Segments

- **Care Motion**

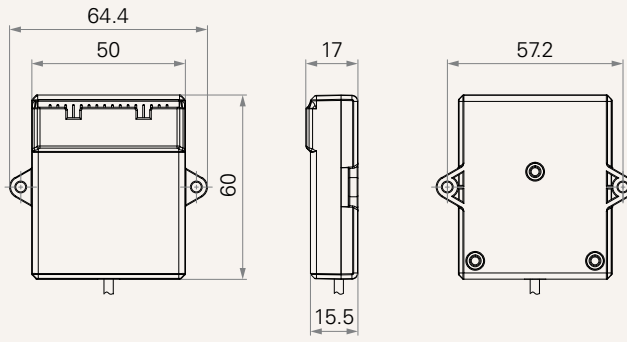
General Features

A signal switch box

It can support maximum 2 membrane switches, 25 buttons, and 18 indicator lights

Drawing

Standard Dimensions
(mm)



| | | |
|---------------------------|--|--|
| Program | 1 = For membrane switch use, ID code: 91 2 = For membrane switch use, ID code: 92 3 = For membrane switch use, ID code: 93 | 4 = For massage motor use, system including 2 sets of TMM series model 5 = For massage motor use, system including 3 sets of TMM series model |
| Housing / PCB Type | 0 = Without, 16P*2 row (for membrane switch) 1 = With, 16P*2 row (for membrane switch) | 2 = With, 12P*1 row (for TMM / TMM2 / TMM3 / TMM4) |
| Plug | 1 = DIN 8P, 90° 2 = RJ 10P, 90° | 4 = DIN 8P, 180° 5 = RJ 10P, 180° |
| Color | 1 = Black 2 = Grey (Pantone 428C) | |
| Cable Length (mm) | 1 = Straight, 600 3 = Straight, 1500 2 = Straight, 1000 4 = Straight, 2000 | 5 = Straight, 3000 |

Terms of Use

The user is responsible for determining the suitability of TiMOTION products for a specific application. TiMOTION products are subject to change without prior notice.