

TJB2

series



Product Segments

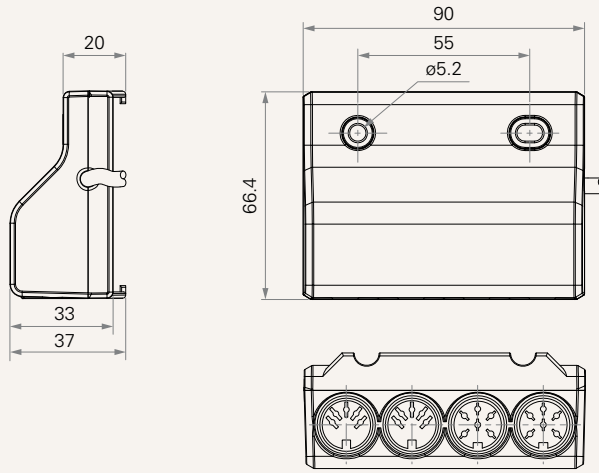
- **Care Motion**
- **Comfort Motion**

General Features

Support 2 motors and 2 controls
Compact design

Drawing

Standard Dimensions
(mm)



Number of Actuators	1 = 1	2 = 2
Control Input (Number of Controls)	1 = 1	2 = 2
Actuator Input Plug Type	1 = DIN 6P plug	2 = 01 plug
Control Input Plug Type	1 = Long DIN 5P (240°)	3 = Short DIN 5P (180°)
Color	1 = Black	2 = Pantone 428C
Cable Length (mm)	1 = Straight, 1000, DIN 5P	2 = Straight, 1000, 01 plug

Terms of Use

The user is responsible for determining the suitability of TiMOTION products for a specific application. TiMOTION products are subject to change without prior notice.