

TH24

series



Product Segments

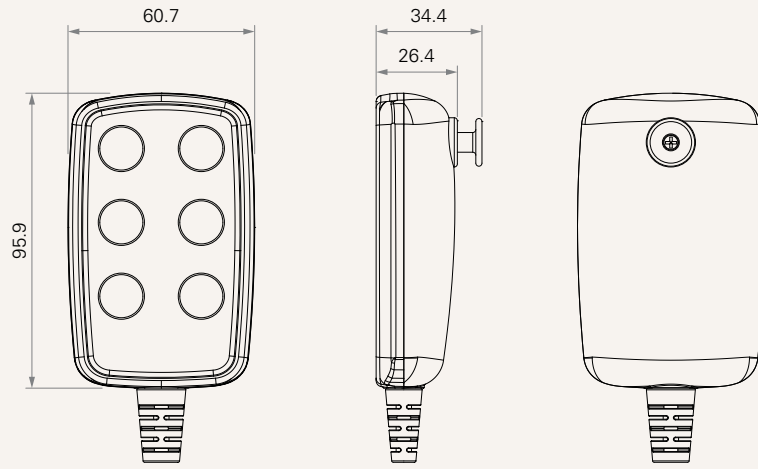
- **Care Motion**

General Features

Number of motors	1~3
Max. available buttons	6
Color	Black, grey
IP rating	IP67

Drawing

Standard Dimensions
(mm)



TH24 Ordering Key

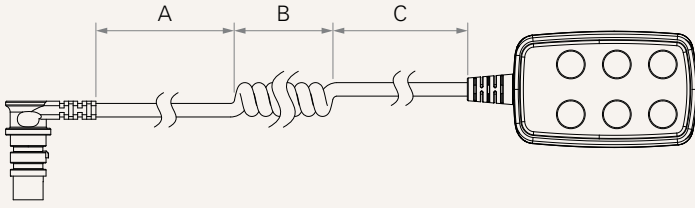
TH24

Version: 20200720-H

Numbers of Actuator	1 = 1	2 = 2	3 = 3
Plug	1 = DIN 8P, 90°, for TC2 / TC3 / TC7 2 = RJ 10P, 90°, for TC1 / TC8 / TC10	4 = DIN 8P, 180°, for extension cable 5 = RJ 10P, 180°, for TC6 / TC9 / extension cable	
Colort	1 = Black	2 = Pantone 428C	
IP Rating	1 = Without	2 = IP54	3 = IP66 4 = IP67
Key Definition	01~27 = 01~27 Note: please contact TiMOTION before making an order		
Cable Length (mm)	1~6 = 1~6		

[See page 4](#)

Cable Length



Cable Section (mm)

CODE	A	B	C
1	1000	300	200
2	1200	300	300
3	1400	300	400
4	2400	0	0
5	0	600	0
6	1000	200	200

Terms of Use

The user is responsible for determining the suitability of TiMOTION products for a specific application. TiMOTION products are subject to change without prior notice.