

TH23

series



Product Segments

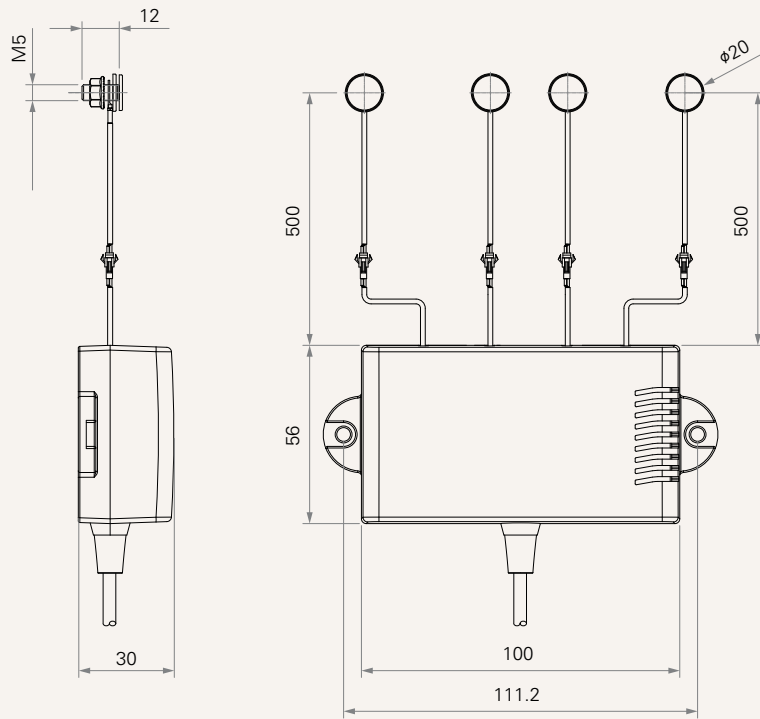
- **Comfort Motion**

General Features

Number of motors	1~2
Max. available buttons	4
Direct cut support	Available
Certificate	EMC, RoHS, KC
Operational temperature range	+5°C~+45°C
Capacitive-sensor buttons	
Embedded into the recliner	

Drawing

Standard Dimensions
(mm)



TH23

Version: 20130510-B

Plug	1 = DIN 5P, for TDC 2 = DIN 8P, for TC2 / TC3 / TC7 4 = DIN 8P, 180°, for extension cable 5 = RJ 10P, 180°, for extension cable	6 = RJ 10P, 90°, for TC1 / TC6 / TC8 / TC9 / TC10 / TC11 / TC14 A = Customized	
Color	1 = Black	2 = Pantone 428C	
Cable Length (to Control Box) (mm)	1 = Straight, 1500	2 = Straight, 2000	A = Customized

Terms of Use

The user is responsible for determining the suitability of TiMOTION products for a specific application. TiMOTION products are subject to change without prior notice.