

# TH15

series



---

## Product Segments

- **Comfort Motion**

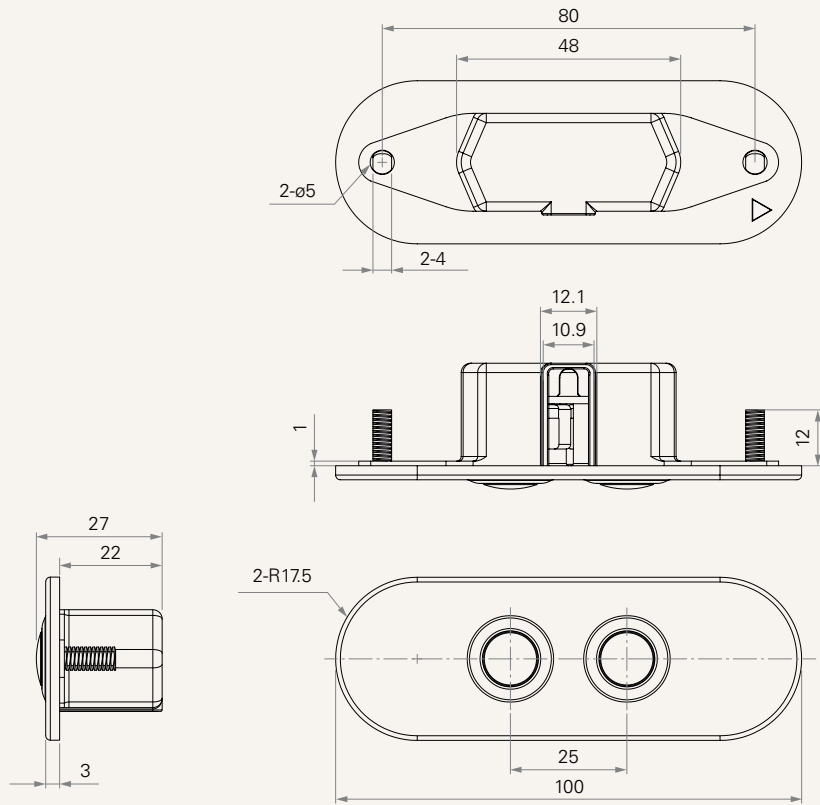
---

## General Features

Max. available buttons                      2  
Black buttons and cable; metal surface with brushed nickel coating  
Embedded into the recliner

**Drawing**

Standard Dimensions  
(mm)



## TH15

Version: 20131122-E

---

<b>Plug</b>	1 = DIN 5P, for TDC 2 = DIN 8P, for TC2 / TC3 / TC7 4 = DIN 8P, 180° , for extension cable	5 = RJ 10P, 180° , for TC6 / TC9 / extension cable 6 = RJ 10P, 180° , for TC11 / TC15 / TC16, flat
<b>Color</b>	1 = Metal top cover with silver painting, black buttons and cable	
<b>Cable Length (mm)</b>	1 = Straight, 1000	2 = Straight, 1500

---

---

### Terms of Use

The user is responsible for determining the suitability of TiMOTION products for a specific application.  
TiMOTION products are subject to change without prior notice.