

TH14

series



Product Segments

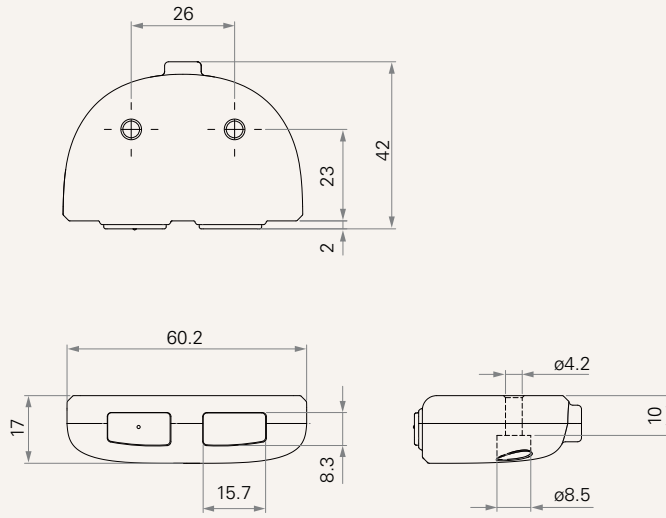
- **Ergo Motion**
- **Industrial Motion**

General Features

Maximum available buttons	2
Color	Black or grey
Mounted under the tabletop	
Specific design for desk lifting column	

Drawing

Standard Dimensions
(mm)



Plug	1 = DIN 5P, for TDC 2 = DIN 8P, for TC2 / TC3 / TC7 4 = DIN 8P, 180°, for extension cable	5 = RJ 10P, 180°, for TC6 / TC9 / 6 = RJ 10P, 180°, for TC11 / TC15 / TC16, flat
Color	1 = Black	2 = Grey (Pantone 428C)
Cable Length (mm)	1 = Straight, 1000	2 = Straight, 1500

Terms of Use

The user is responsible for determining the suitability of TiMOTION products for a specific application. TiMOTION products are subject to change without prior notice.