

TH10

series



Product Segments

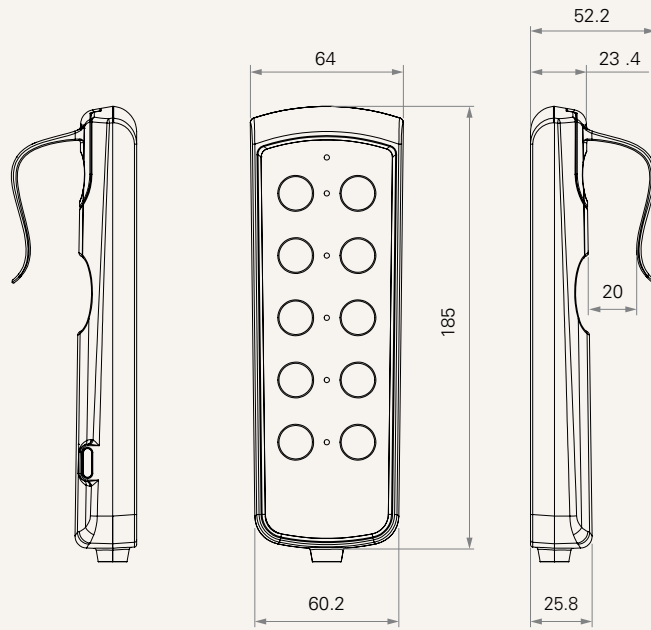
- **Care Motion**

General Features

Number of motors	1~4
Max. available buttons	10
Color	Black, grey
IP rating	IP66
Options	Back light, safety key

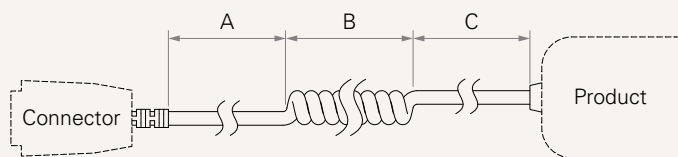
Drawing

Standard Dimensions
(mm)



Back Light	A = Without	B = With		
Number of Actuators	1 = 1	2 = 2	3 = 3	4 = 4
Plug	1 = DIN 8P, 90°, for TC2 / TC3 / TC7 / TC12 2 = RJ 10P, 90°, for TC1 / TC8 / TC10		4 = DIN 8P, 180°, for TC12 or extension cable 5 = RJ 10P, 180°, for TC6 / TC9 extension cable	
Color	1 = Black	2 = Pantone 428C		
IP Rating	1 = Without	2 = IP54	3 = IP66	4 = IP66W
Safety Key	0 = Without	1 = With		
Key Definition	See appendix* Note: please contact TiMOTION before making an order			
Cable Length (mm) See page 4	See appendix* Note: please contact TiMOTION before making an order			
MCU	0 = Without MCU + without MCU control box (max. 4 motors) 1 = Without MCU + with MCU control box 2 = With MCU + without MCU control box (max. 4 motors) 3 = With MCU + with MCU control box			
Hook Type	0 = Without 1 = Standard	2 = Rectangular hook (for 30*40 rod)		

Cable Length



Cable Section (mm)			
CODE	A	B	C
1	1000	300	200
2	1200	300	300
3	1400	300	400
4	2400	0	0
5	0	600	0
6	1000	200	200

Terms of Use

The user is responsible for determining the suitability of TiMOTION products for a specific application. TiMOTION products are subject to change without prior notice.