

TH7R

series



Product Segments

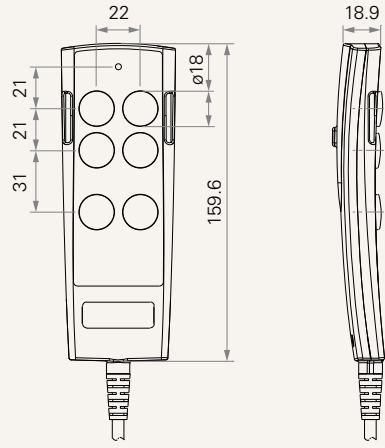
- **Comfort Motion**

General Features

Connected actuators	1~3
Maximum available buttons	6
Color	Black or grey
Options	Safety key
Rubber-made buttons	
LED indicator	

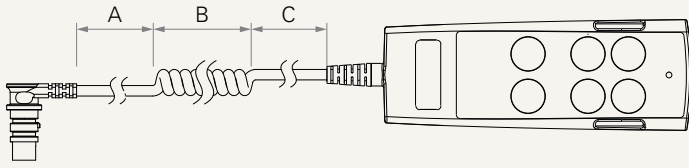
Drawing

Standard Dimensions
(mm)



Number of Actuator	1 = 1	2 = 2	3 = 3
Plug	1 = DIN 8P, for TC2 / TC3 / TC7 2 = RJ 10P, 90°, for TC1 / TC8 / TC10		4 = DIN 8P, 180°, for extension cable 5 = RJ 10P, 180°, for TC6 / TC9 / extension cable
Color	1 = Black	2 = Pantone 428C	
IP Rating	1 = Without		
Safety Lock	0 = Without	1 = With	
Key Definition	01~27 = 01~27 Note: please contact TiMOTION before making an order		
Cable Length (mm) See page 4	1~6 = 1~6		
MCU	0 = Without		
Control Box Type	0 = Without MCU control box		1 = With MCU control box
Communication Type	2 = Switch type 3 = Single-direction scan type		4 = Dual-direction scan type
Hook Type	1 = Standard		

Cable Length



Cable Section (mm)

CODE	A	B	C
1	1000	300	200
2	1200	300	300
3	1400	300	400
4	2400	0	0
5	100	600	100
6	1000	200	200

Terms of Use

The user is responsible for determining the suitability of TiMOTION products for a specific application. TiMOTION products are subject to change without prior notice.