

TH3

series



Product Segments

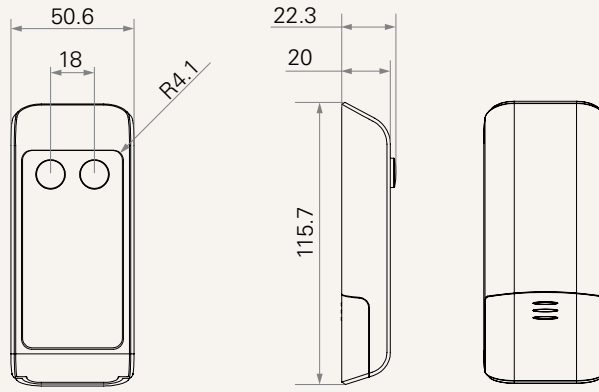
- **Comfort Motion**

General Features

Connected actuators	1~3
Maximum available buttons	6
Color	Black or grey
Maximum remote control distance	5m
RF wireless control available	
LED indicator	

Drawing

Standard Dimensions
(mm)



Voltage	1 = 12V, wireless frequency 315MHz 2 = 12V, wireless frequency 433MHz	G = 12V, wireless frequency 2.4GHz	
Number of Actuators	1 = 1	2 = 2	3 = 3
Color	1 = Black	2 = Grey (Pantone 428C)	
Key Definition	01~28 = Key definition Note: please contact TiMOTION before making an order		

Terms of Use

The user is responsible for determining the suitability of TiMOTION products for a specific application. TiMOTION products are subject to change without prior notice.