

# TH2

series



## Product Segments

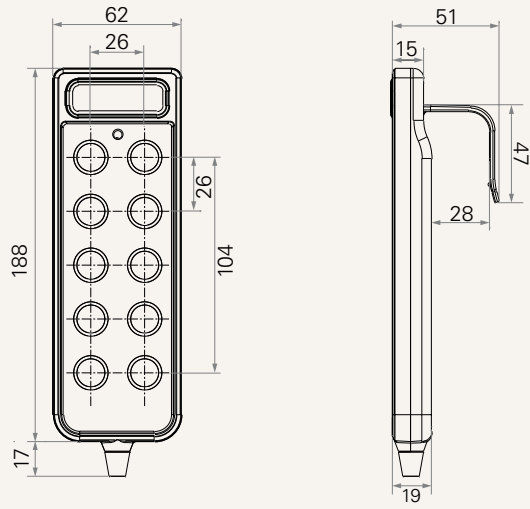
- **Care Motion**

## General Features

Connected actuators	1~4
Maximum available buttons	10
Color	Black or grey
IP rating	Up to IP66W
Options	Safety key
LED indicator	

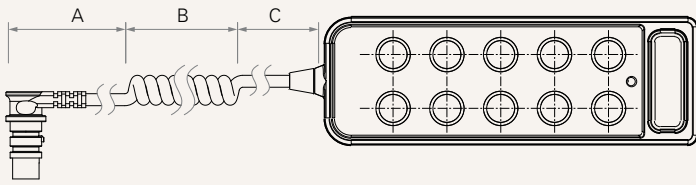
**Drawing**

Standard Dimensions  
(mm)



<b>Number of actuators</b>	1 = 1	2 = 2	3 = 3	4 = 4
<b>Plug</b>	1 = DIN 8P, 90° plug, for TC2 / TC3 / TC7 2 = RJ 10P, 90° plug, for TC1 / TC8 / TC10		4 = DIN 8P, 180° plug, for extension cable 5 = RJ 10P, 180° plug, for TC6 / TC9 / extension	
<b>Color</b>	1 = Black	2 = Grey (Pantone 428C)		
<b>IP rating</b>	1 = Without 2 = IP54		3 = IP66 5 = IP66W	
<b>Safety key</b>	0 = Without	1 = With		
<b>Hook type</b>	0 = Without	1 = Standard (for ø30mm bar)	3 = Rectangular hook (for 30*40mm rod)	
<b>Key Definition</b>	01-66 = Need to work with MCU option #0			
<b>Cable Length (mm)</b>	1-6 = <a href="#">See page 4</a>			

## Cable Length (mm)



## Cable Length (mm)

CODE	A	B	C
1	1000	300	200
2	1200	300	300
3	1400	300	400
4	2400	0	0
5	0	600	0
6	1000	200	200

## Terms of Use

The user is responsible for determining the suitability of TiMOTION products for a specific application. TiMOTION products are subject to change without prior notice.