

TBS3

series



Product Segments

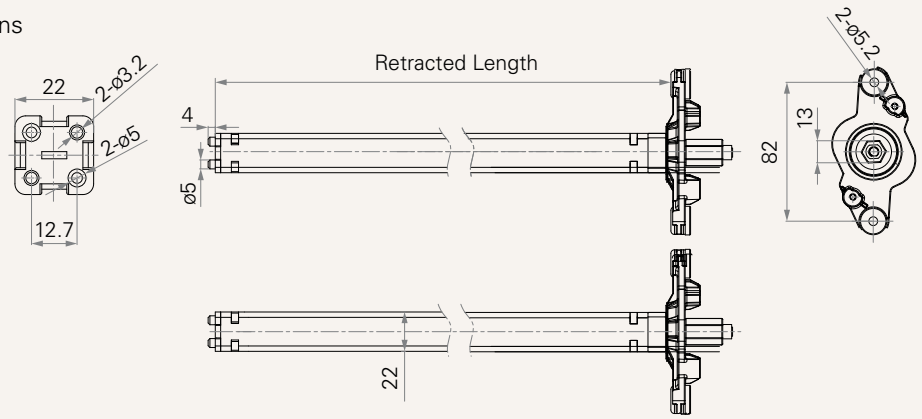
- **Ergo Motion**
- **Industrial Motion**

General Features

Recommended stroke	20~600mm
Minimum dimensions	≥ stroke + 80mm
Maximum load	1,000N
TBS3 series are for the two part columns	

Drawing

Standard Dimensions
(mm)



Load and Speed

CODE	Spindle (mm)	Rated Load (N)	Rated Torque (Nm)	Lead (mm / turn)	Typical Speed (mm/s)
A	4*4	1000	4.6	16	(TGM motor speed / 60) *16
B	4*5	1000	5.4	20	(TGM motor speed / 60) *20

Note

1 Please refer to the approved drawing for the final authentic value.

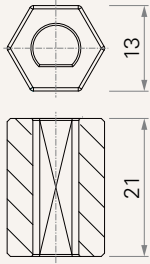
TBS3

Version: 20190421-E

Load and Speed	See page 2
Stroke (mm)	20-600
Retracted Length (mm)	Minimum retract length needs to $\geq S+ 80$
Input Torque (mm)	1 = Coupler, HEX, 13 See page 4
Inner Tube Type (mm)	1 = Square tube, 22*22
Front Attachment (mm)	1 = Plastic See page 4

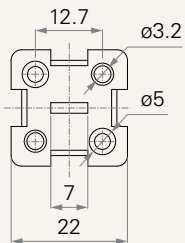
Input Torque (mm)

1 = Coupler, HEX, 13



Front Attachment (mm)

1 = Plastic



Terms of Use

The user is responsible for determining the suitability of TiMOTION products for a specific application. TiMOTION products are subject to change without prior notice.