

TBL

series



Product Segments

- **Care Motion**

General Features

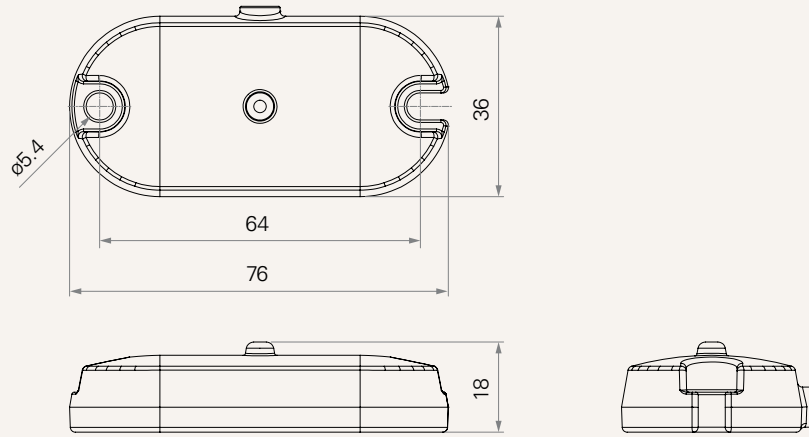
Comprised of 10 or 15pcs small LED

2 x M5 holes for installation

Low power consumption 0.8W

Drawing

Standard Dimensions
(mm)



Voltage	0 = 5V	2 = 24V	
Plug	1 = DIN 6P, 90° (Connect to control box's motor channel) 2 = DIN 6P, 180° (Connect to control box's motor channel) 3 = RJ 10P, 90° (Connect to with MCU control box's handset channel) 4 = RJ 10P, 90° (Connect to without MCU control box's handset channel) 5 = DIN 8P, 90° (Connect to with MCU control box's handset channel)		
Color	1 = Black	2 = Grey (Pantone 428C)	
Brightness	1 = High (13200mcd)	2 = Standard (8800mcd)	3 = Low (4400mcd)
LED Color	1 = Single color (White) 2 = Single color (Orange) 3 = 2 colors (Red, Green)	4 = 3 colors (Red, White, Green) 5 = 3 colors (Red, Yellow, Green)	
Cable Length (mm)	1 = Straight, 1000 2 = Straight, 1200	3 = Straight, 1500 4 = Straight, 1800	5 = Straight, 2000 6 = Straight, 2500

Terms of Use

The user is responsible for determining the suitability of TiMOTION products for a specific application. TiMOTION products are subject to change without prior notice.